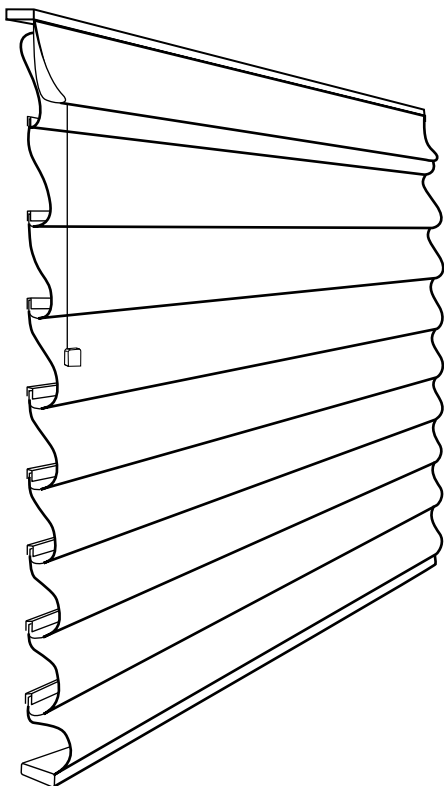


ROMAN SHADES

Installation Instructions



Ultima[®]

Congratulations on the purchase of your new window covering! 3 Day Blinds' products are an attractive choice for your home or office. Included with your purchase is all of the hardware you will need to successfully install your new shade. Please take a moment to read through these instructions before starting.

Bring Out Your Inner Decorator.™

3 DAY BLINDS[®]

America's Window Covering Specialists® Since 1978

1-800-590-SHOP | www.3Day.com

TOOLS & HARDWARE

A few simple tools are required:

- Steel tape measure
- Power drill and drill bits (if desired)
- Flathead and Phillips screwdriver
- Pencil
- Level (for outside mount)
- Awl (or tool for starting a screw hole)

Included are the screws needed for a normal installation. Depending on the mounting surface, fasteners other than the screws provided may be required. Wall board and plaster require the use of anchors such as expansion brackets or toggle bolts. Bricks, tile and stone need special plugs and drill bits. Wood should always be pre-drilled to avoid splitting.

Professional installation is also available at most 3 Day Blinds locations.

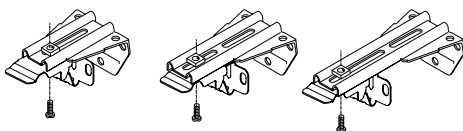
STANDARD HARDWARE

Mounting Bracket

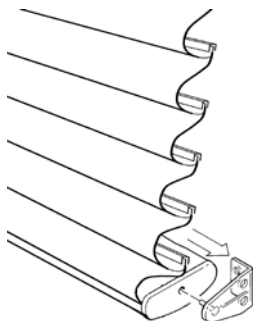


OPTIONAL HARDWARE

Extension Bracket



Hold Down Bracket



BRACKET INFORMATION

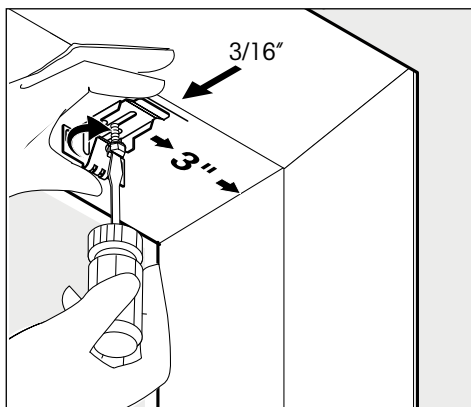
Brackets should be installed at each end, 3" from the ends. Depending upon the width of the shade, additional brackets may be required and will need to be evenly spaced between the two end brackets.

Mounting Brackets With Screws

Width	Number of Brackets
10" - 42"	2 Brackets
42 1/8" - 70"	3 Brackets
70 1/8" - 96"	4 Brackets
96 1/8" - 120"	5 Brackets
120 1/8" - and up	6 Brackets

INSIDE MOUNT

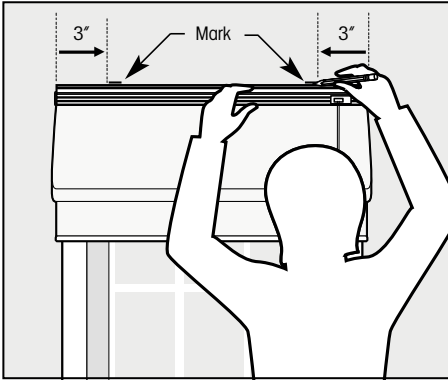
Mount the brackets to the top of the window frame, 3" in from each outer edge and 3/16" back from the front edge of the frame for a flush look.



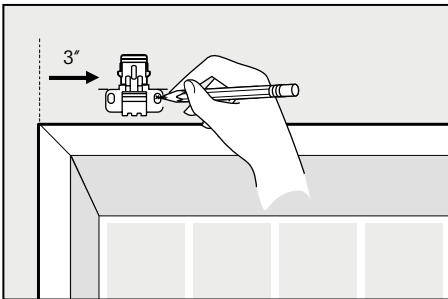
Additional brackets will be supplied with wider shades. Align and mount additional brackets spaced equally between outer brackets.

OUTSIDE MOUNT

Center and align the top rear of the shade headrail over the window opening at the desired height. Make a mark 3" in from each outer edge of the shade headrail.



Align the top rear of the mounting brackets with these marks. Use a level to make sure mounting brackets are at the same height.



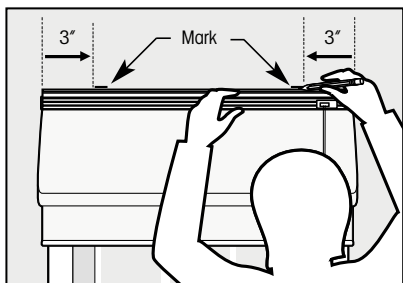
Additional brackets will be supplied with wider shades. Align and mount additional brackets spaced equally between outer brackets.

OPTIONAL EXTENSION BRACKET

Extension brackets can be used to project the shade further into the room (over window cranks, door knobs etc.)

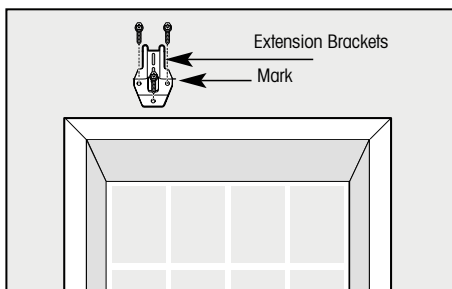
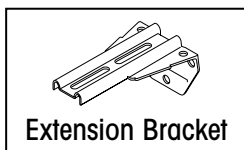
Center and align the top rear of the shade headrail over the window opening at the desired height. Make a mark 3" in from each outer edge of the shade headrail. Align the top rear of the extension brackets with these marks.

OPTIONAL EXTENSION BRACKET (CONT)

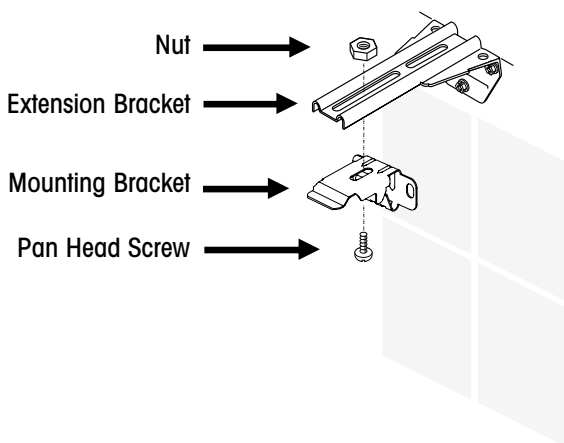


Use a level to make sure extension brackets are at the same height.

Additional brackets will be supplied with wider shades. Align and mount additional brackets spaced equally between outer brackets.

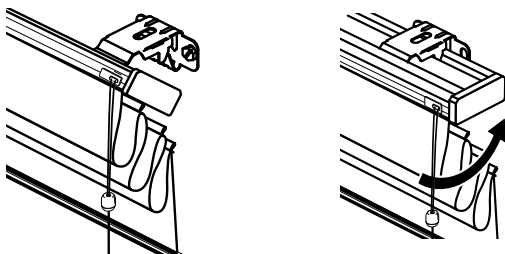


Attach the mounting brackets to the extension brackets using the pan head screw and nut.



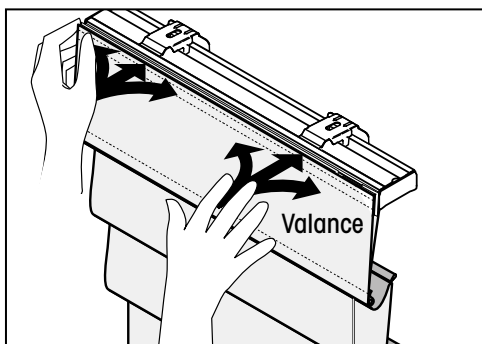
SHADE INSTALLATION

Hook the top front edge of the headrail into the front hook of the brackets. Rotate the headrail up and back to snap into place.



VALANCE INSTALLATION

Attach the valance to the headrail by starting on one end and work to the opposite end making sure it is level. Apply pressure all along the valance to ensure proper attachment to the headrail.



SHADE OPERATION

STANDARD SHADE

- To raise the shade, pull the draw cords down.
- To engage the lock, pull the cords down and toward the outside of the shade.
- To lower the shade, pull the draw cords down and toward the center of the shade and allow the cords to slide slowly through your hand.

SHADE OPERATION (CONT)

TOP DOWN BOTTOM UP

Follow "Standard Shade" instructions for shade operation. This shade is different because it has two sets of cords. One set of cords controls the center rail, the other is for the bottom rail.

TOP DOWN

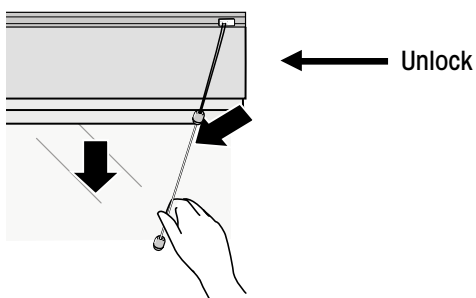
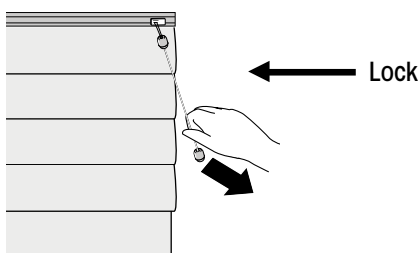
Follow "Standard Shade" instructions above for shade operation. This shade is slightly different because it has one set of cords that control the center rail only. The bottom rail is always in the down position.

CORD LOCK OPERATION

To raise the shade, pull the cord down and away from the fabric, toward you. Make sure the cord does not rub on the edge of the fabric, the shade, or the valance.

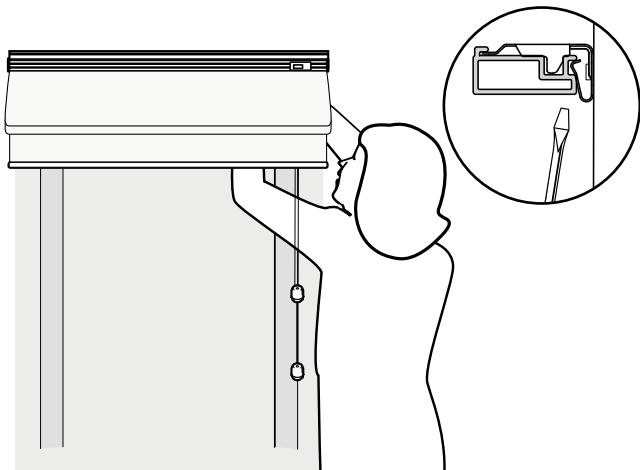
To lower the shade, pull the cord down to release the cord lock and lower the shade.

To lock the shade at the desired length, raise or lower the shade as instructed above. When your shade is at the length you desire, move the cord slightly towards the outside edge of the shade and release the cord.

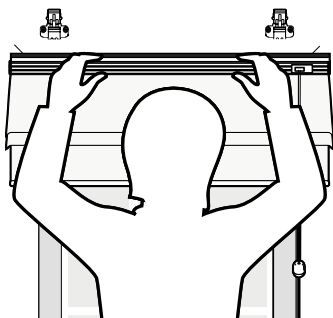


SHADE REMOVAL

On each bracket there is a tab on the lower back side. Starting at one end of the shade, slide a standard flat screwdriver between the back of the rail and the tab.



Push the screwdriver up and twist while rotating the bottom of the shade towards you. Keep releasing brackets until the shade is free.



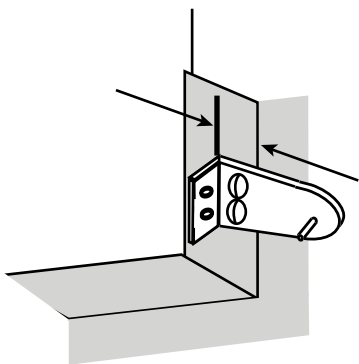
OPTIONAL ACCESSORIES

Hold Down Brackets — Used primarily on shades being mounted to doors or in motor homes. They are free of charge and are available at any 3 Day Blinds showroom. There are two small holes in the end caps that are covered by a thin plastic cover. Use the pin on the hold down bracket to punch out the front hole of each bottom rail end cap.

To install the hold down brackets:

- With the shade lowered to its full length, place the pin of each hold down bracket into the front hole in each end of the bottom rail.

- Using a pencil, mark the mounting surface through the holes in the hold down bracket. Make sure the hold down brackets are level and aligned with each other.
- Raise the shade and screw the hold down brackets into the mounting surface using the screws provided.
- Mount the hold down to the side or back of the window frame so that the pin lines up with the front hole in the bottom rail end cap with the shade fully lowered.



Lower the shade and flex the hold down bracket outward so that the pin can be inserted into the hole in the end cap.

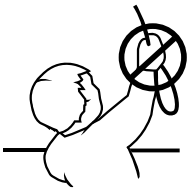


CARE & CLEANING

Frequent dusting or vacuuming with a soft brush attachment will help to ensure a long life for your shade. Soiled fabric can be gently spot cleaned with a mild soap and a soft damp sponge or cloth. Once cleaned, draw the shade up to its maximum open position and allow it to dry. This will help the shade to maintain its pleat retention.

3 Day Blinds also offers products specifically designed to safely and quickly clean fabric shades. Use of strong detergents, spot removers or ammonia based solutions will damage fabric shades and are not recommended.

WARNING



Young children can strangle in the loop of pull cords, chain and bead cords, and cords that run through window coverings. They can also wrap cords around their necks and STRANGLE

1. Install safety devices that remove the cord loops or reduce access to cords, and
2. Move cribs and furniture away from window covering cords.

LIMITED LIFETIME WARRANTY

3 Day Blinds, Inc., will repair or replace any part of the blind found to be defective in materials or workmanship at no cost to you. This warranty is limited to the original consumer purchaser of the blinds. There is no time limit to our warranty, excluding Essentials®-line products which come with a 1 year limited warranty. This warranty does not apply to any defect caused by improper installation, alteration, abuse, misuse or exposure to excess moisture. This warranty does not cover normal wear and tear such as the natural deterioration of fabric and changes in color that take place over time. This warranty does not cover products that exceed 3 Day Blinds' size recommendations. To obtain service, bring the product(s) in question to any 3 Day Blinds store with this warranty and your purchase invoice. This warranty gives you specific legal rights and you may also have other rights which vary from state to state.

Bring Out Your Inner Decorator.™

3 DAY BLINDS®

America's Window Covering Specialists® Since 1978

1-800-590-SHOP | www.3Day.com