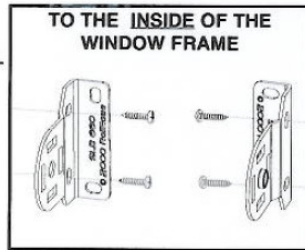


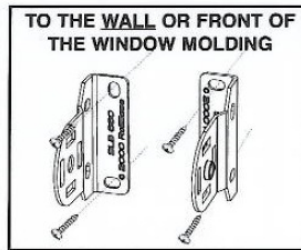
Roller Shade Installation Instructions

1. MOUNT THE BRACKETS

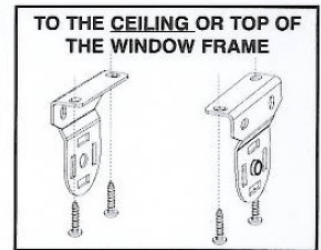
Attach the brackets to the window frame, window molding, wall or ceiling as shown. Brackets are universal, so clutch may be mounted on either side. See illustrations A-C.



A



B



C

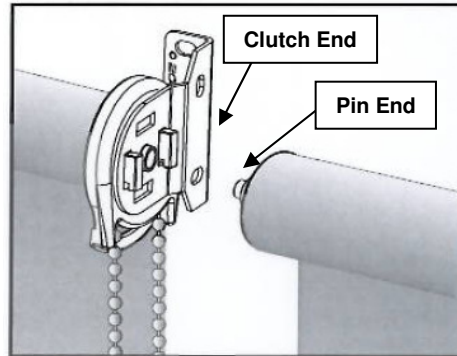
Note: If sharing a bracket between two shades, bracket can only be shared by a clutch and a pin end, not a clutch-to-clutch or pin-end to pin-end. See illustration D.

2. INSTALL THE SHADE

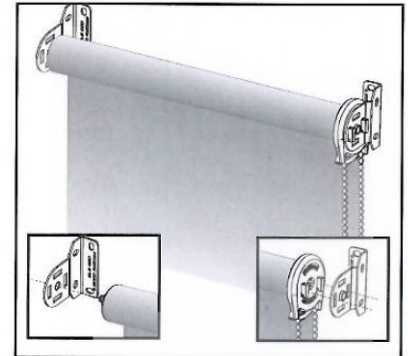
See illustration E.

Put the spring loaded pin into the round hole of the bracket. Keeping the pin end secured in its bracket, insert the hook arms on the clutch straight into the hook arm receiver holes of the bracket.

Once the two hook arms are through the holes, gently pull down on the clutch until the two hook arms have locked securely to the bracket. The bottom of the clutch should always point straight down.



D

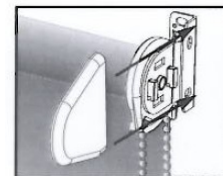


E

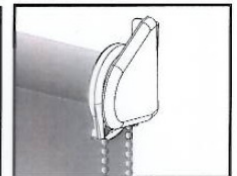
3. INSTALL THE BRACKET COVERS

Outside mount only. See illustrations F and G.

Bracket covers are slid over the bracket until snapped into position.



F



G

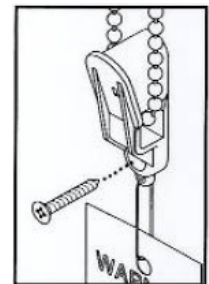
4. INSTALL TENSION DEVICE

The Tension Device reduces the hazards of strangulation and entanglement of young children by limiting access to the control cord or bead chain. Anchor the Tension Device, that is attached to the shade's bead chain, to the window frame or wall, so that young children cannot pull the cord around their necks.



- Lower the shade.
- Hold the Tension Device upright so the Warning Tag hangs straight down as shown in diagram. See illustration H.
- Position the Tension Device on the window frame or wall so that the Tension Device and bead chain do not interfere with the raising or lowering of the shade. **The tension device should be installed without stretching or pulling down on the bead chain. Stretching the bead chain will cause excessive wear. Do not twist or cross the bead**

- Position the Tension Device to allow the stop ball to pass through the tension device.
- Holding the Tension Device upright, and in position, as shown, insert and secure the screw through the hole. The mounting screw must be secured into a solid surface or use a mounting anchor.



H

5. OPERATE THE SHADE

Pulling gently on the bead chain in one direction raises the shade; pulling it in the other direction lowers it. On shades where the fabric rolls toward the room, the rear bead chain does the raising.



3DAYBLINDS™

800-800-3329

3dayblinds.com

Part # 00001-124-000

Warranty & Cleaning Roller Shades

3 Day Blinds Limited Lifetime Warranty

This warranty applies only to products manufactured by, or legally branded as 3 DAY BLINDS products. 3 Day Blinds, Inc. ("3DB") will repair or replace (with the same or similar model), at its own option, any part of the products found to be defective in materials or workmanship at no cost to you. This warranty is limited to the original purchaser of the products. This warranty does not apply to any defect caused by improper installation, alteration, abuse, misuse or exposure to excess heat or moisture. This warranty does not cover normal wear and tear, such as the natural deterioration of fabric and changes in color that take place over time. This warranty does not cover products that exceed 3DB's size recommendations. To obtain service, bring the product(s) in question to any 3DB showroom with this warranty and your original purchase invoice or call 1-888-353-3329 for assistance. **THERE ARE NO WARRANTIES THAT EXTEND BEYOND THIS EXPRESS WARRANTY. 3DB DISCLAIMS ALL OTHER WARRANTIES, EXPRESS AND/OR IMPLIED, INCLUDING WITHOUT LIMITATION ANY WARRANTY OF MERCHANTABILITY OR FITNESS FOR A PARTICULAR PURPOSE. UNDER NO CIRCUMSTANCES SHALL 3DB BE LIABLE FOR LOST PROFITS, OR OTHER INDIRECT, INCIDENTAL, CONSEQUENTIAL, SPECIAL OR EXEMPLARY DAMAGES.** Some states do not allow the exclusion or limitation of incidental damages, so the above limitations or exclusions may not apply to everyone. This warranty gives everyone specific legal rights including other rights which vary from state to state.

Care and Cleaning

Maintain the beauty of your custom window treatments for years to come by following these simple steps:

- Dust regularly
- Carefully vacuum periodically with the brush attachment
- Spot clean with damp cloth or mild detergent

